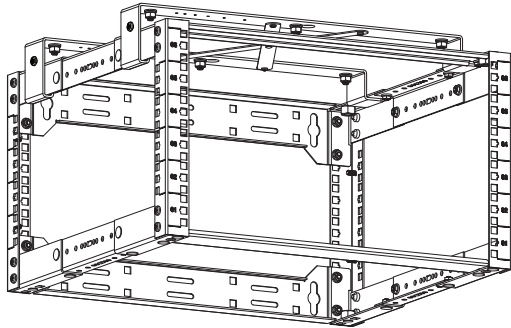
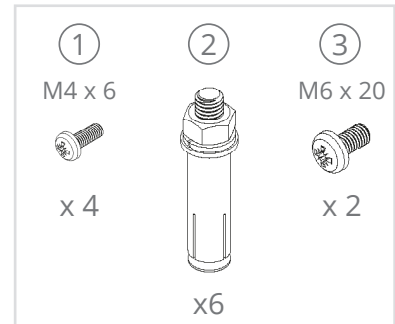


INSTALLATION MANUAL

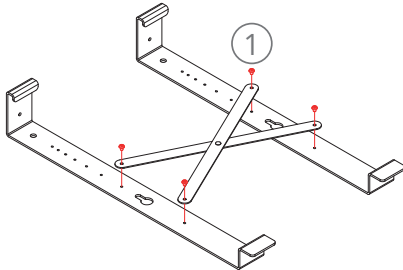
OPR300C CEILING MOUNTING BRACKET FOR OPR RACKS



ACCESSORIES

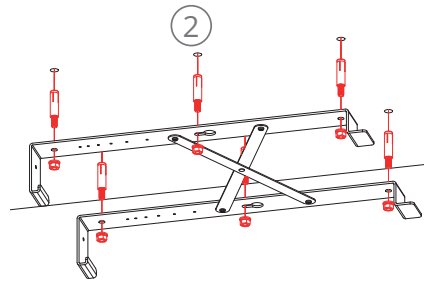


STEP 1



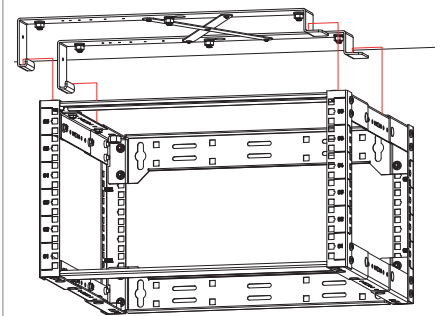
Assemble both beams with the correct distance in between, using the 'X' support. The distance is depending on the required depth of the rack

STEP 2



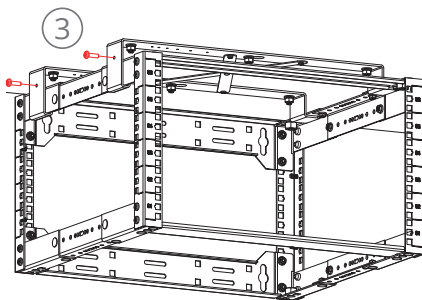
Mount the bracket to the desired mounting location on the ceiling. Use the included anchor bolts or other fasteners depending on the mounting location or surface. Always make sure the surface can structurally support the weight of the bracket including the rack weight.

STEP 3



Pre-assemble the equipment in the rack, and hook the rack into the bracket as indicated in above image.

STEP 4



When hooked, secure the rack into the bracket by inserting and tightening two bolts into the provided mounting holes as indicated in above image. This prevents the rack from falling down by accidental touching, vibration or other impacts.

DIMENSIONS & MOUNTING HOLES OVERVIEW

